

Stainless Steel, Welded Seal Double-Ended Shear Beam Load Cell



65040 Steel



FEATURES

- Rated capacities of 25,000 to 75,000lbs (higher capacities also available)
- Welded seal, stainless steel construction
- Center supported, external pivot loading
- Integral conduit adaptor
- Trade certified for NTEP Class III:10000 divisions
- *Sensorgage*™ sealed to IP68 standards
- Factory Mutual System Approved for Classes I, II, III; Divisions 1 and 2; Groups A through G. Also, non-incendive ratings (No barriers!).

DESCRIPTION

The 65040W is a mid to high capacity welded stainless steel, double ended shear beam load cell.

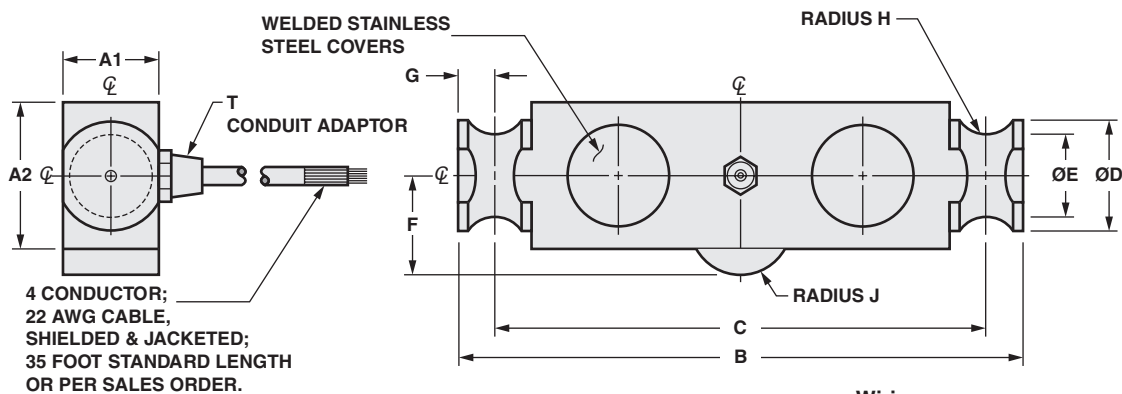
This product is designed for use in certified truck and rail scales and is available in capacities ranging from 25k through 75klbs. (for higher capacities, please consult factory)

This load cell is rated intrinsically safe by the Factory Mutual System (FM); making it suitable for use in potentially explosive environments. This load cell is certified for Legal For Trade applications by American NTEP standards.

APPLICATIONS

- Hostile environments: Food and beverage processing
Chemical and plastics processing
Pharmaceutical and biomedical processing
- Truck scales
- Railroad track scales

OUTLINE DIMENSIONS in inches



Wiring

- | | |
|--------------|-------|
| + Excitation | Red |
| - Excitation | Black |
| + Output | Green |
| - Output | White |

CAPACITY	A1	A2	B	C	D	E	F	G	H	J	T-THREAD
25K - 40K	1.94	2.44	8.25	7.25	2.0	1.63	1.75	0.50	0.50	0.50	1/4-18NPT
50K - 75K	1.94	2.94	11.50	10.00	2.2	1.70	2.00	0.75	0.75	1.00	1/2-14NPT

Capacities are in pounds.

SPECIFICATIONS

PARAMETER	VALUE		UNIT
Rated capacities-R.C. (E_{max})	25K, 40K, 50K, 75K*		lbs
NTEP/OIML Accuracy class	NTEP IIII	Standard	
Maximum no. of intervals (n)	10000 multiple		
$Y = E_{max}/V_{min}$	See NTEP cert. 86-045A1		Maximum available
Rated output-R.O.	3.0		mV/V
Rated output tolerance	0.25		±% mV/V
Zero balance	1.0		±% FSO
Combined error	0.02	0.03	±% FSO
Non-repeatability	0.01	0.015	±% FSO
Creep error (30 minutes)	0.025	0.03	±% FSO
Temperature effect on zero	0.0009	0.0015	±% FSO/°F
Temperature effect on output	0.0008	0.0008	±% of load/°F
Compensated temperature range	14 to 104 (-10 to 40)		°F (°C)
Operating temperature range	0 to 150 (-18 to +65)		°F (°C)
Storage temperature range	-60 to 185 (-50 to +85)		°F (°C)
Sideload rejection ratio	500:1		
Safe sideload	100		% of R.C.
Maximum safe central overload	150		% of R.C.
Ultimate central overload	300		% of R.C.
Excitation, recommended	10 - 15		Vdc or Vac rms
Excitation, maximum	25		Vdc or Vac rms
Input impedance	686 - 714		Ω
Output impedance	699 - 707		Ω
Insulation resistance at 50VDC	>1000		MΩ
Material	17-4 Ph stainless steel**		
Environmental protection	IP68		

* Consult factory for higher capacities

** Alloy steel available as 65040

FSO -Full Scale Output

Disclaimer

All product specifications and data are subject to change without notice.

Vishay Precision Group, Inc., its affiliates, agents, and employees, and all persons acting on its or their behalf (collectively, "Vishay Precision Group"), disclaim any and all liability for any errors, inaccuracies or incompleteness contained herein or in any other disclosure relating to any product.

Vishay Precision Group disclaims any and all liability arising out of the use or application of any product described herein or of any information provided herein to the maximum extent permitted by law. The product specifications do not expand or otherwise modify Vishay Precision Group's terms and conditions of purchase, including but not limited to the warranty expressed therein, which apply to these products.

No license, express or implied, by estoppel or otherwise, to any intellectual property rights is granted by this document or by any conduct of Vishay Precision Group.

The products shown herein are not designed for use in medical, life-saving, or life-sustaining applications unless otherwise expressly indicated. Customers using or selling Vishay Precision Group products not expressly indicated for use in such applications do so entirely at their own risk and agree to fully indemnify Vishay Precision Group for any damages arising or resulting from such use or sale. Please contact authorized Vishay Precision Group personnel to obtain written terms and conditions regarding products designed for such applications.

Product names and markings noted herein may be trademarks of their respective owners.